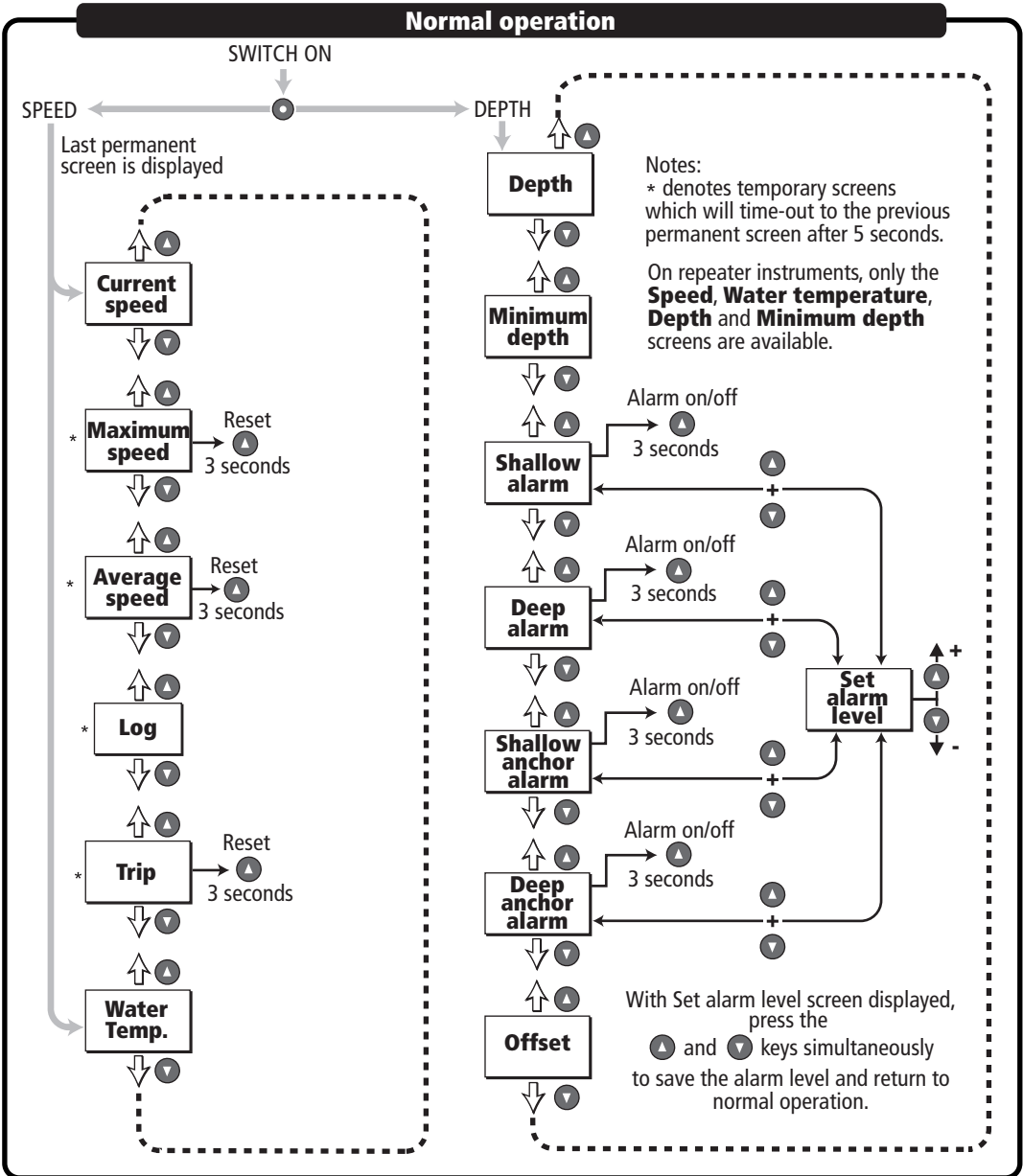


Distributed by  
**Raymarine**

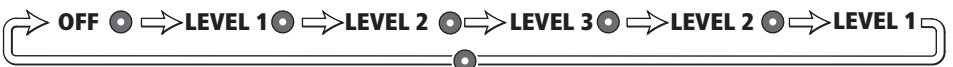
Any reference to Raytheon or RTN in this manual should be interpreted as Raymarine. The names Raytheon and RTN are owned by the Raytheon Company.

# ST40 Bidata Instrument - quick reference guide



## Adjusting display backlighting/contrast

To enter adjust mode, press ● for 1 second to adjust BACKLIGHTING and a further 1 second to adjust CONTRAST



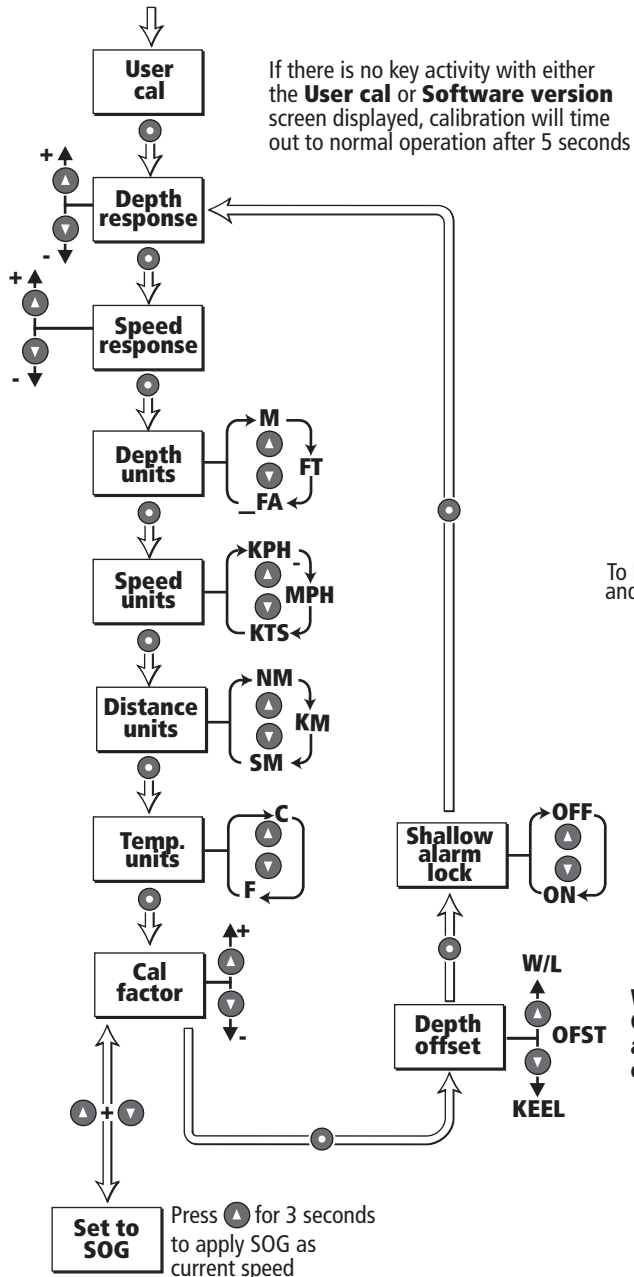
To exit adjust mode press ▼ or ▲ or wait for 5 second timeout

# ST40 Bidata Instrument - quick reference guide

## Calibration

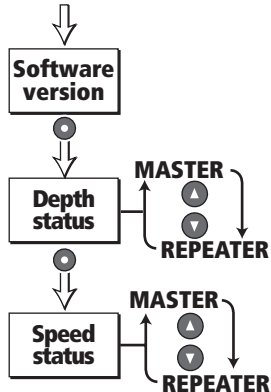
### USER CALIBRATION

Hold down and for 2 seconds



### INTERMEDIATE CALIBRATION

Hold down and for 4 seconds



To leave any calibration routine and return to normal operation, hold down and for 2 seconds

**WARNING:** Correct offset values are essential to the safe operation of the vessel.